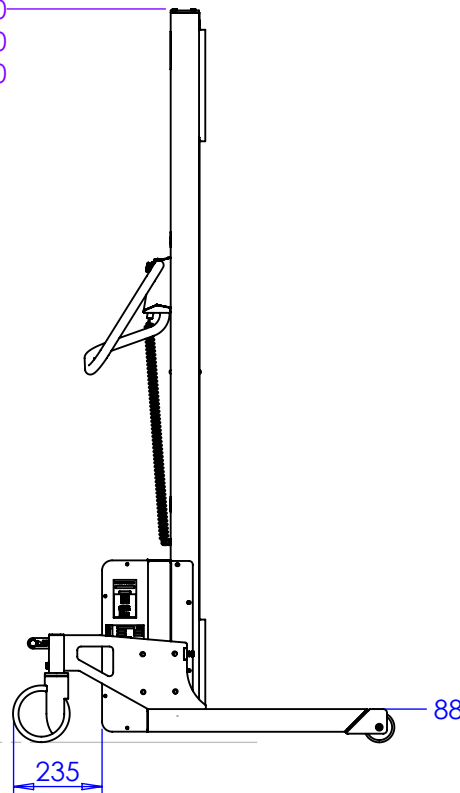
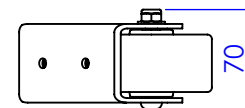
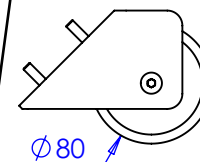
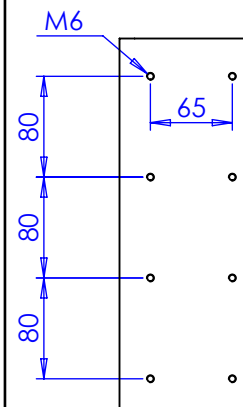


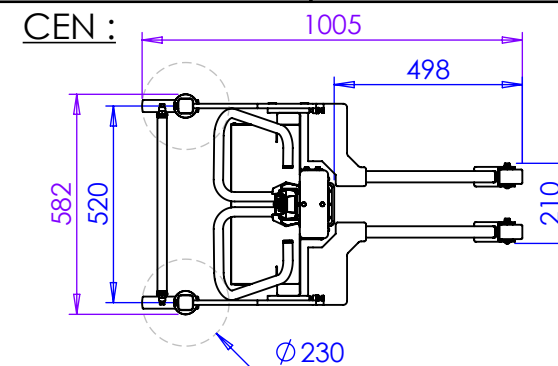
Overall height:
 S : 1560
 M : 1940
 L : 2390
 XL : 2940



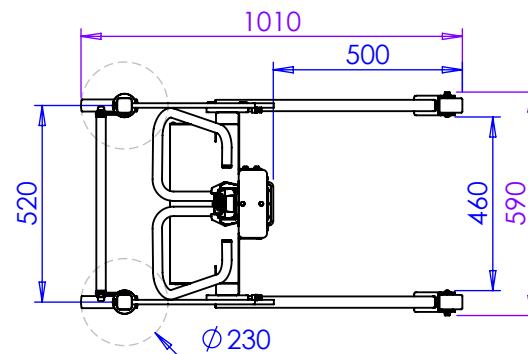
Tool attachment:



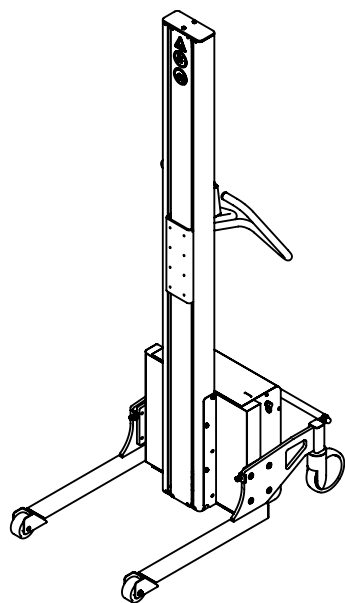
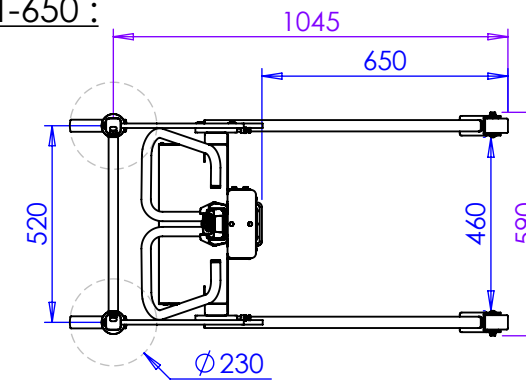
Front caster:



ST-500 :



ST-650 :



DESIGNATION
R.205

REGLIFT - 19 rue de Saturne, ZAC Belle Etoile - 44119 GRANDCHAMPS DES FONTAINES - FRANCE
 +33 (0)2 28 21 73 95 - info@reglift.fr

This layout is the property of REGLIFT and may not be reproduced or distributed without Reglift's permission.

Date : 16/08/2023

GENERAL TOLERANCE : ISO 2768-mk

FORMAT A4

A.B

SCALE 1:20

